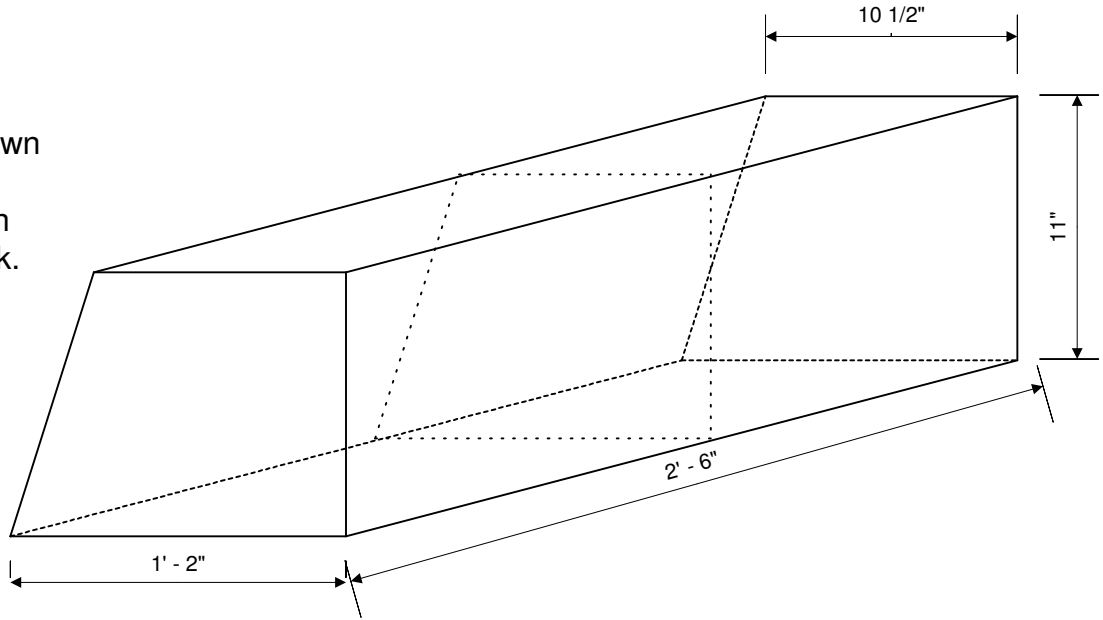
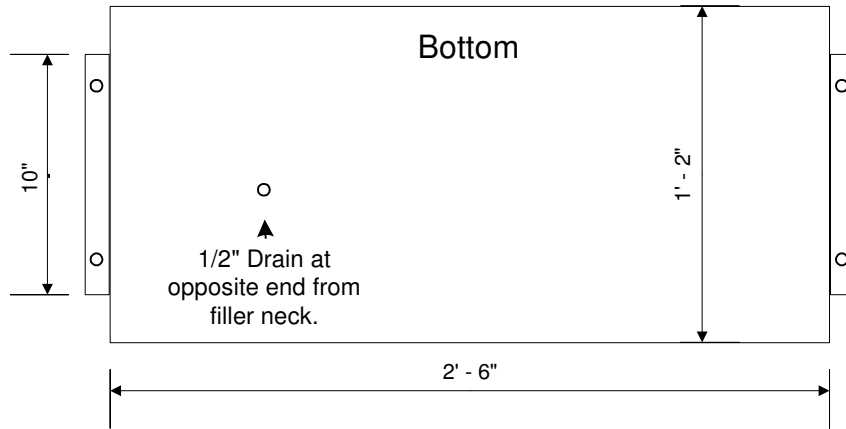


# Fuel Tank for Tom Henderson

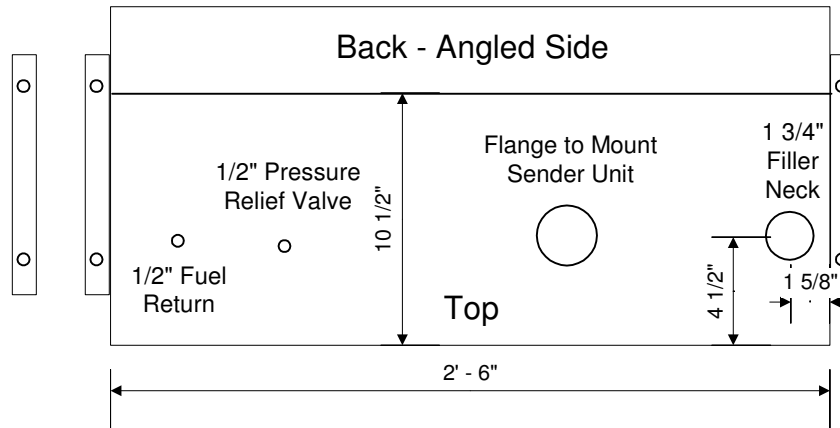
No fittings shown in this view.  
One baffle in center of tank.



"Angle Iron" flange skip welded flush with bottom of tank and drilled - to secure tank to supports. Holes are 7/16".



Backing Strap for Fuel Tank Flanges - Drill to Match Flanges Quantity - 2



Filler neck to be angled slightly toward edge of tank.

Strengthening Straps for Fuel Tank Mounting Boards. Drill per Pattern to be Supplied. Quantity - 2. Holes are 3/16"



Only Fuel Feed Fitting Shown

